

# WTE10

# TRYMAX

Mould Temperature Controller

## ●Capacity

Power		3-phase,200V,60Hz	3-phase,220V,60Hz	3-phase,200V,50Hz
Temperature range *1		Supplied water temperature + 10 to 90 °C		
Temperature control accuracy *1		Preset temperature ± 1 °C		
Pump	Electric capacity	0.43 kW	0.25 kW	
	Flow capacity	1.2 m <sup>3</sup> /h at a head of 34 m		1.2 m <sup>3</sup> /h at a head of 24 m
Heater	Electric capacity	2.48 kW	3.00 kW	2.48 kW
	Cooling capacity *2	9.42 kW (33.9 MJ/h)		

\*1 The temperature of medium is measured by us with a temperature indicator controller used during no-load operation.

\*2 This capacity is achievable when the machine is fed with cooling water of which the temperature is lower than that of the medium by 45 °C and run in the state that the pressure difference between the water supply side and the water drain side is 0.2 MPa.

## ●Standard specifications

Medium		Clean water (soft water)		
Pump		Mechanical seal type		
Heater	Tank material	FC200 + Electroless nickel plating		
	Tank capacity	1 L		
Cooling	Method	Direct cooling by direct supply of clean water		
Temp. control	Setting / Display	Digital setting / Digital display		
	Control method	PID control for heating/cooling		
	Sensor *3	Thermocouple (J)		
Start timer *4		Subtractive timer, 00 h:01 m—99 h:59 m		
Piping connection	Cooling water supply port *5	Hose nipple, 10.5 mm dia.		
	Cooling water drain port *5	Hose nipple, 10.5 mm dia.		
	Medium feed port *5	Hose nipple, 10.5 mm dia.: 2 pieces		
	Medium return port *5	Hose nipple, 10.5 mm dia.: 2 pieces		
Safety device	<b>Error contents</b>	<b>Safety device</b>	<b>Error notification mode</b>	
	Earth leakage	Earth leakage circuit breaker	Power OFF	
	Overload	(with overload protector)		
	Reversed phase	Reverse phase protection relay	Alarm lamp + Buzzer + Operation stop	
	Overheat	Overheat protector	Alarm lamp + Buzzer + Operation stop	
	Level low	Level switch	Alarm lamp + Buzzer + Operation stop	
	Pump overload	Overload relay	Alarm lamp + Buzzer + Operation stop	
	Maximum temperature	Control panel (with standby function)	Alarm lamp + Buzzer	
	Minimum temperature	Control panel (with standby function)	Alarm lamp + Buzzer	
	Sensor breaking	Control panel	Alarm lamp + Buzzer + Operation stop	
	Heatup error	Control panel	Alarm lamp + Buzzer + Operation stop	
	Power failure *4	Control panel	Timer lamp blinking + Buzzer + Operation stop	
Paint colour *6	A45-90A (Gloss)			

\*3 The sensor type may be changed according to the customer's request.

\*4 If power failure occurs after the (subtractive) start timer has been set, the timer start is disabled even if the power supply is restored, to prevent accident.

\*5 The connector type may be changed according to the customer's request.

\*6 The colour (paint colour) may be changed according to the customer's request.

## ●Accessories \*7

Power cord	5 m
Circulation line hose	9 mm dia., 3 m long, heat-resisting hose: 4 pieces
Hose band	Hose band for 9 mm dia. hose: 8 pieces

\*7 The type, size or quantity of the accessories may be changed according to the customer's request.

## ●Utilities

Power	3-phase,200V,60Hz	3-phase,220V,60Hz	3-phase,200V,50Hz
Electric capacity	2.91 kW	3.43 kW	2.73 kW
Rated current	9.2 A	9.7 A	8.8 A
Circuit breaker capacity	15 A		
Air	Not required		
Cooling water	0.6 m <sup>3</sup> /h		
External dimensions *8	250 × 453 × 590 mm (W×D×H)		
Weight *9	44 kg		

\*8 Pipes to the machine are not included.

\*9 Weight of a standard model

□Specification may be changed without prior notice.

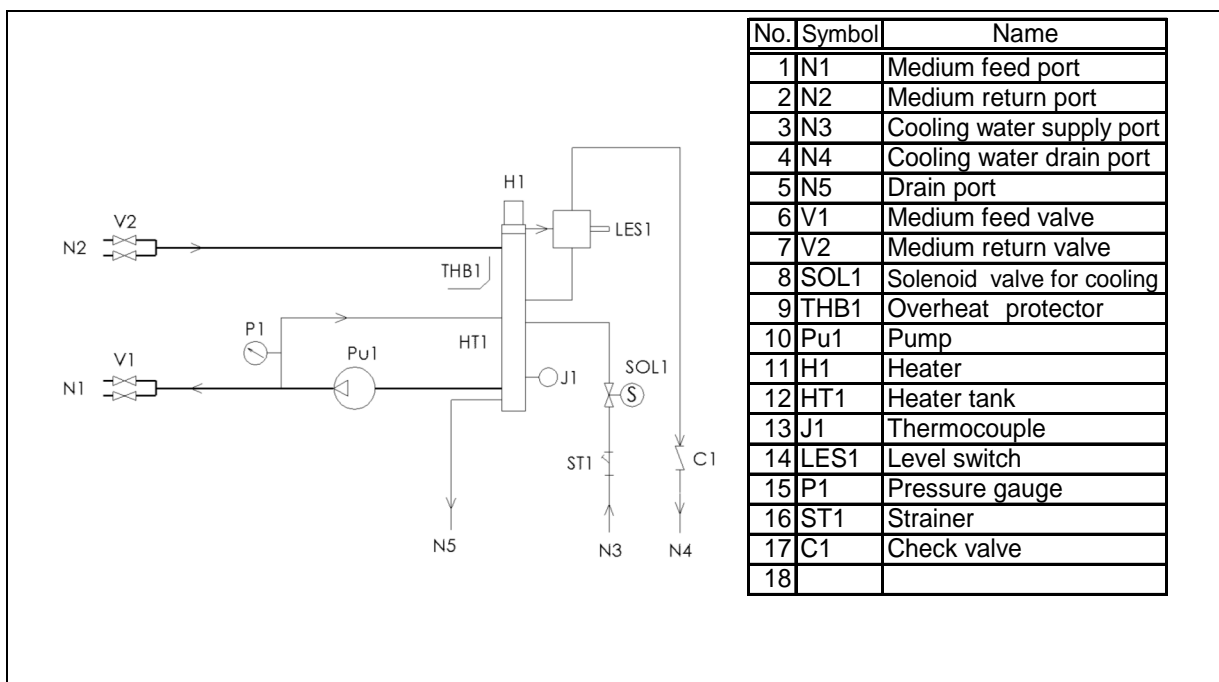


# WTE10

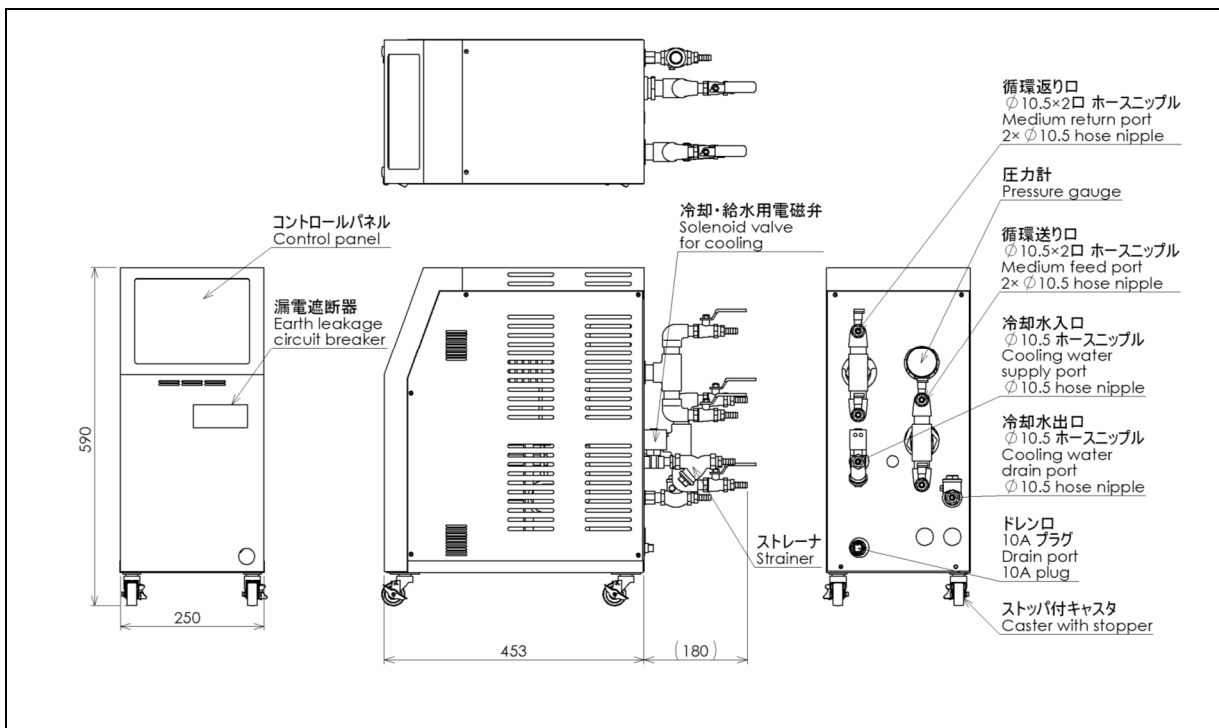
# TRYMAX

Mould Temperature Controller

## ●Flow



## ●Outline view



□Specification may be changed without prior notice.

**NAKAMURA**