

PLB403

High auto loader

● Capacity

Power		3 phases 200 V 60 Hz	3 phases 220 V 60 Hz	3 phases 200 V 50 Hz
Blower capacity	Output	2.55 kW	2.55 kW	2.20 kW
Carry performance *1		730 kg/h		

*1 It is the value which used of bulk specific gravity 0.65 g/cm³ virgin material for level 9 m and perpendicular 3 m and Ø 50 mm hose piping, and was measured in our company.

And this value is the case where a supply place is a vacuum cyclone PS1. (at 60 Hz)

● Standard specifications

Dust collecting method	Body	Dust filter box		
	Filter	Dust filter		
Material supply exchange	Body	Air selector		
	Connecting port	3 x Ø 50 mm		
Safety device	Error contents	Safety device	Error notification mode	
	Earth leakage	Earth leakage circuit breaker (with overload protector)	Power OFF	
	Overload			
	Phase reversal	Reverse phase protection relay	Display lamp+Operation stop	
	Blower motor overload	Overload relay	Display lamp+Operation stop	
	Clean Filter	Notification timer	Display lamp	
Colour *2	A45-90A (Gloss)			

*2 The colour (paint colour) may be changed according to the customer's request.

● Accessories

Power cord	3.5 m
Hose	Ø 50 mm x 20 m (L) (without earth wire)
Hose band	12 pieces for Ø 50 mm hose

● Utilities

Power		3 phases 200 V 60 Hz	3 phases 220 V 60 Hz	3 phases 200 V 50 Hz
Electric capacity		2.55 kW	2.55 kW	2.20 kW
Rated current		12.5 A	11.7 A	9 A
Earth leakage circuit breaker capacity		20 A		
Air	Pressure	0.2 MPa		
Size		W 536 × D 529 × H 1147 (mm)		
Weight *3		75 kg		

*3 Weight of a standard model

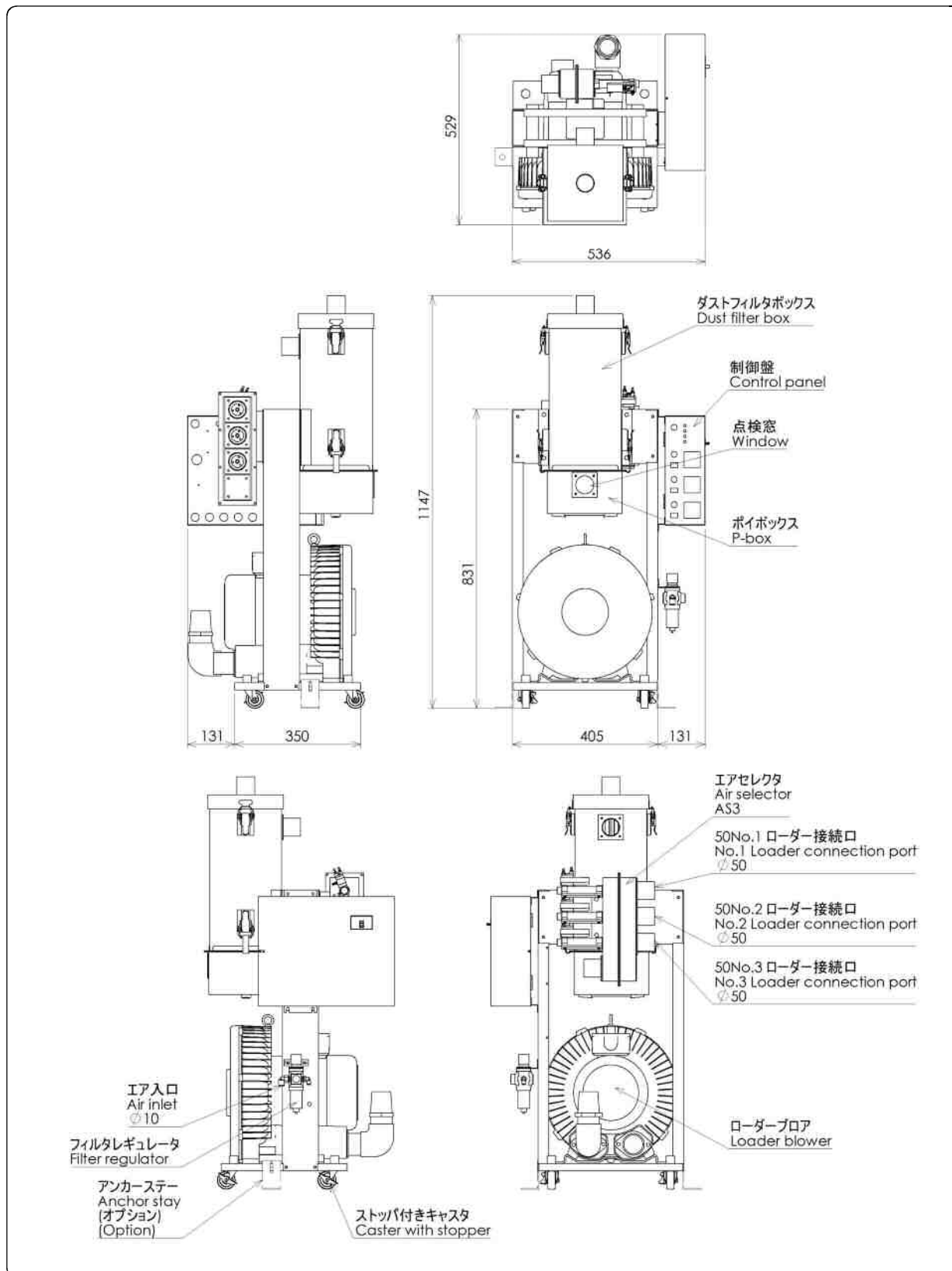
□ Specification may be changed without prior notice.



PLB403

High auto loader

● Outline view



□ Specification may be changed without prior notice.

NAKAMURA