

DLG75

Hopper Dryer + Loader Combination Model

● Capacity

Power		3 phases 200V 60 Hz	3 phases 220V 60 Hz	3 phases 200V 50 Hz
Temperature range		60 to 150 °C		
Dryer blower	Output	0.20 kW		
Heater	Electrical capacity	4.50 kW	5.45 kW	4.50 kW
Loader blower	Output	1.75 kW	1.75 kW	1.50 kW
Carry performance *1		410 kg/h		

*1 It is the value which used of bulk specific gravity 0.65 g/cm³ virgin material for level 9 m and perpendicular 3 m and Ø38 mm hose piping, and was measured in our company.

And this value is the case where a supply place is a vacuum cyclone PS1. (at 60 Hz)

● Standard specifications

Capacity *2		180 L / 75 kg	
Body ("Dual Package")		Heat insulated double structure Side open type	
Drying system		Semi-closed circuit	
Filter		Circulation filter Exhaust filter	
Temp control	Setting / Display	Digital setting / Digital display	
	Control method	PID	
	Sensor *3	Thermocouple (J)	
Start timer *4		Subtractive type start timer 000 h : 01 m ~ 500 h : 59 m	
Purge unit	Structure	Push-damper type	
Material outlet port	Bore	1 X Ø38 mm (with coupler)	
	Secondary air port	Shutter type	
Material discharge port	Size	Ø60.5 mm	
	Structure	Manual shutter (Ø50 mm)	
Dust collection system	Main body	Dust filter box	
	Filter	Dust filter	
Material switch supplying	Main body	Air selector	
	Connection port	2 X Ø38 mm	
Safety device	Error contents	Safety device	Error notification mode
	Earth leakage	Earth leakage circuit breaker (with overload protector)	Power OFF
	Emergency stop	Emergency stop button	Panel display + Operation stop
		Safety switch for hopper closure	Panel display + Operation stop
	Sensor breakage	Control panel	Panel display + Buzzer + Operation stop
	Reversed phase	Control panel	Panel display + Buzzer + Operation stop
	Dryer blower overload	Overload relay	Panel display + Buzzer + Operation stop
	Loader blower overload	Overload relay	Panel display + Buzzer + Operation stop
	Overheat	Overheat protector	Panel display + Buzzer + Operation stop
	Temp. High	Control panel (with standby function)	Panel display + Buzzer
	Temp. Low	Control panel (with standby function)	Panel display + Buzzer
	Clean filter	Control panel	Panel display + Buzzer
	Power failure *4	Control panel	Panel display
	Colour *5		A45-90A (Gloss)

*2 The value is for manual feeding.

*3 Sensor(s) may change by customer's demand.

*4 To prevent accident, the machine stops upon a power failure during the operation and does not restart automatically after power restoration. If a power failure occurs after the timer has been set, the timer-start is canceled.

*5 The colour (paint colour) may be changed according to the customer's request.

DLG75

Hopper Dryer + Loader Combination Model

● Accessories

Power cord	5 m
Hose	Ø38 mm x 20 m (L) (without earth wire)
Hose band	6 pieces for Ø38 mm hose

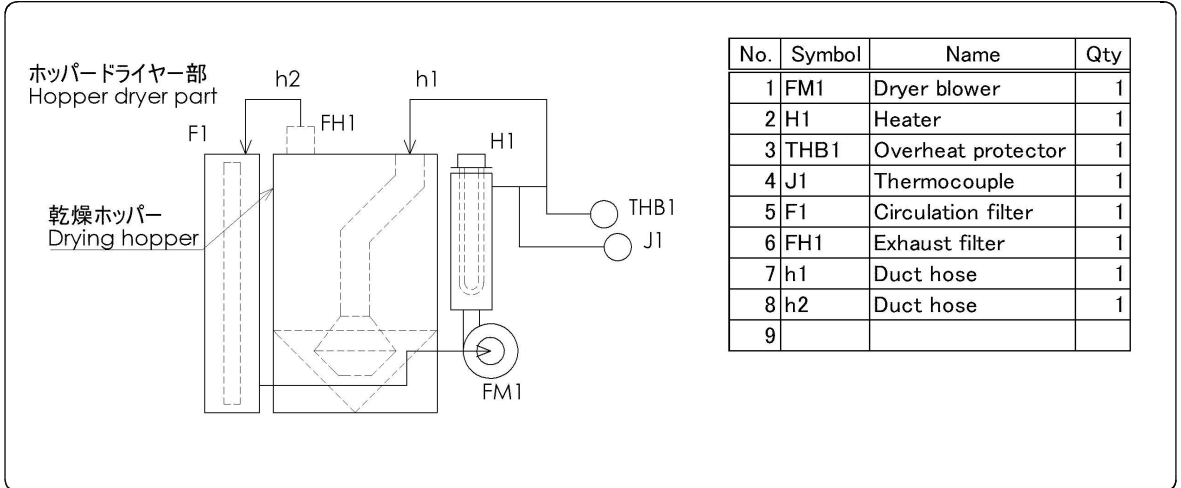
● Utilities

Power		3 phases 200V 60 Hz	3 phases 220V 60 Hz	3 phases 200V 50 Hz
Electric capacity		6.45 kW	7.40 kW	6.20 kW
Rated current		21.6 A	22.5 A	19.9 A
Circuit breaker capacity		30 A		
Air	Quantity	0.1 Nm ³ /h		
	Pressure	0.30 MPa		
Size *6		W923 X D551 X H2249 (mm)		
Weight *7		280 kg		

*6 Protrusions are not contained.

*7 Weight of a standard model

● Flow

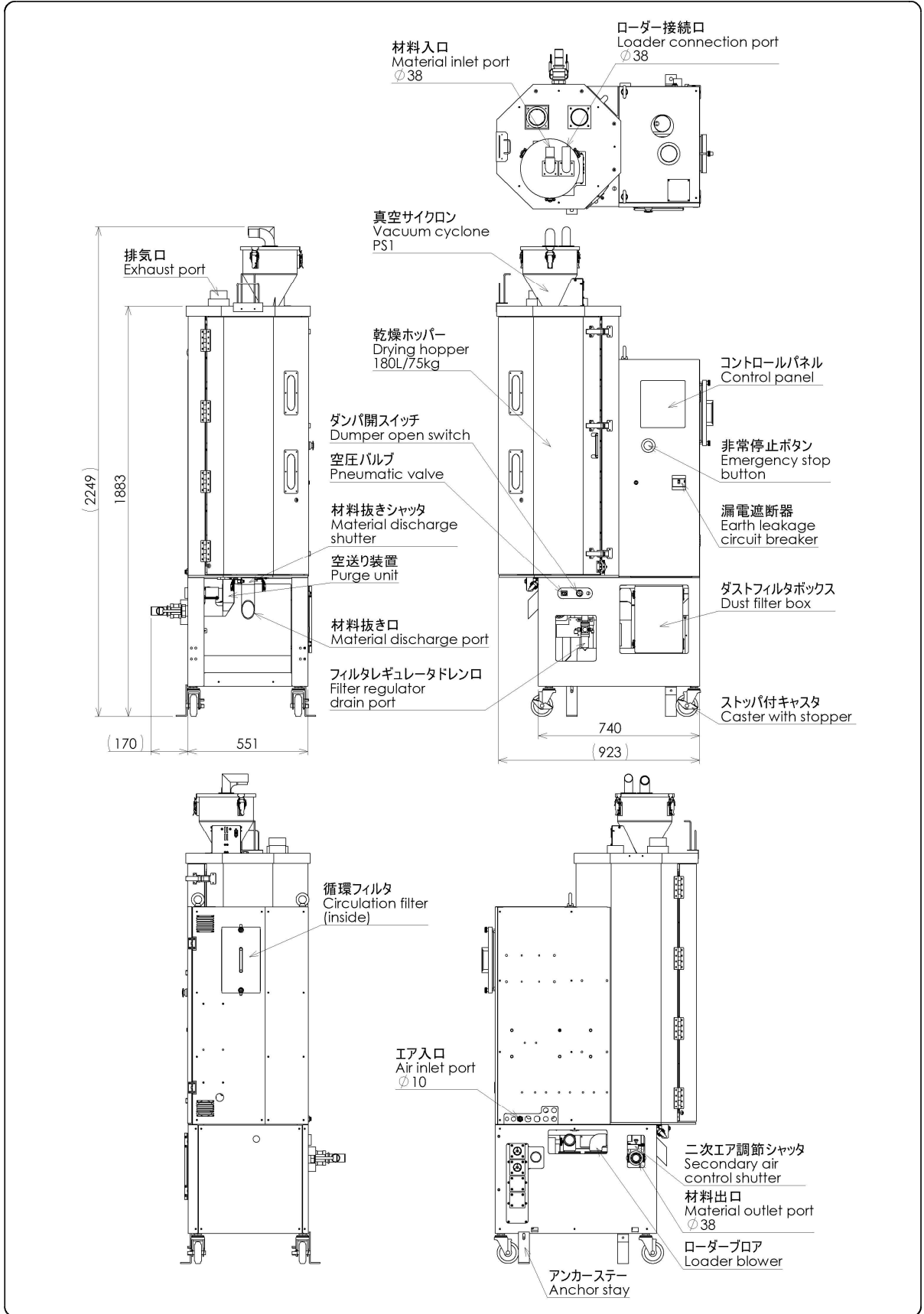


□ Specification may be changed without prior notice.

DLG75

Hopper Dryer + Loader Combination Model

● Outline view



□ Specification may be changed without prior notice.